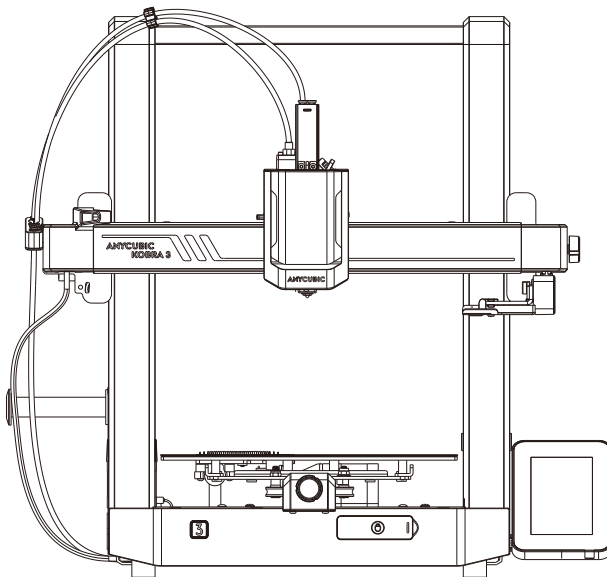




Anycubic Kobra 3

User Manual



Installation Video

The product picture is for reference only. Please refer to the actual product.

Dear Customer,

Thank you for choosing **ANYCUBIC** products.

Maybe you are familiar with 3D printing technology or have purchased **ANYCUBIC** printers before, but we still highly recommend that you read this manual carefully. The installation techniques and precautions in this manual can help you avoid any unnecessary damage or frustration.

Please visit <https://support.anycubic.com/> to contact us if you have any question. You can also gain more information such as software, videos, models from the website.



ANYCUBIC APP



ANYCUBIC Wiki



ANYCUBIC Support Center



Multi-country User Manual

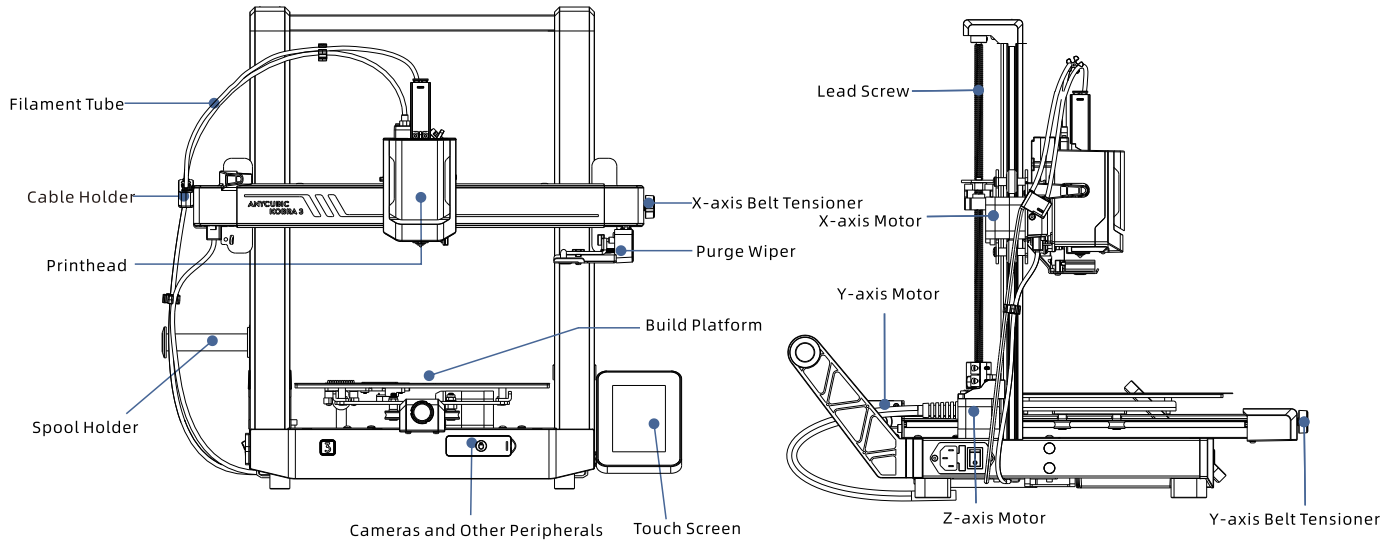
Team **ANYCUBIC**

Copyrighted by “Shenzhen Anycubic Technology Co., Ltd ”, all rights reserved.

Content

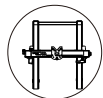
1	Product Overview	1	3	Power-on Guide	15
2	Machine Installation	3	4	Printer Binding	17
	Install Frame	3		APP	17
	Connect Printhead Cable	5		Anycubic Slicer	18
	Connect Printhead	6	5	Print Model	21
	Install Screen	7	6	Other Function Descriptions	22
	Connect the X-axis Motor Cable	8	7	Maintenance Recommendation	24
	Install Cable Holder	9	8	Attention	27
	Install Purge Wiper	10			
	Connect Filament Tube	11			
	Install Spool Holder	12			
	Check Before Use	13			

Product Overview



Packing List

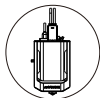
The following pictures are for reference only. Please refer to the actual object.



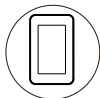
Printer Frame



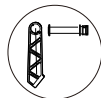
Base Housing



Printhead



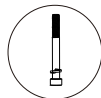
Touch Screen



Spool Holder



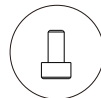
Cable Holder



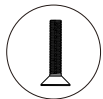
Bag NO.1
M5*45 (4pcs)



Bag NO.2
M2*14 (2pcs)



Bag NO.3
M3*6 (4pcs)



Bag NO.4
M4*16(2pcs)



Bag NO.5
M3*10(1pcs)
M3*8 (1pcs)



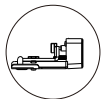
U-DISK
(1pcs)



Power Cord
(1pcs)



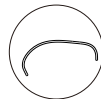
Cable Organizer
(2pcs)



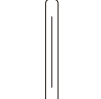
Purge Wiper



4.0/3.0/2.5/2.0/1.5



Filament Tube
(1pcs)



Nozzle Cleaner



Wrench
(1 set)



Filament



Grease

Technical Specification

Printing

Technology: FDM (Fused Deposition Modeling)

Build Size: 250 mm (L) × 250 mm (W) × 260mm (H)

Layer Thickness: 0.08 - 0.28mm

Positioning Accuracy: X / Y / Z 0.0125 / 0.0125 / 0.0025 mm

Extruder Quantity: Single

Nozzle Diameter: 0.4 mm

Supported Materials: PLA/TPU/PETG/ABS etc.

Temperature

Ambient Operating Temperature: 8 °C - 40 °C

Operational Extruder Temperature: Max 300 °C

Operational Print Bed Temperature : Max 110 °C

Software

Slicing Software: Anycubic Slicer/Prusa Slicer/Cura/Orca

Software Input Formats: .STL/.OBJ

Software Output Formats: GCode

Connectivity: U-DISK, AC Cloud, Anycubic Slicer

Electrical

Power Input: 110 V / 220 V AC, 50 / 60 Hz

Rated Power: 400 W

Physical Dimensions

Printer Dimensions: 452.9mm (L) × 504.7mm (W) × 483 mm (H)

Printer Dimensions (including spool holder and build platform movement range):

525.8mm (L) × 521mm (W) × 483 mm (H)

Net Weight: ~9.2kg

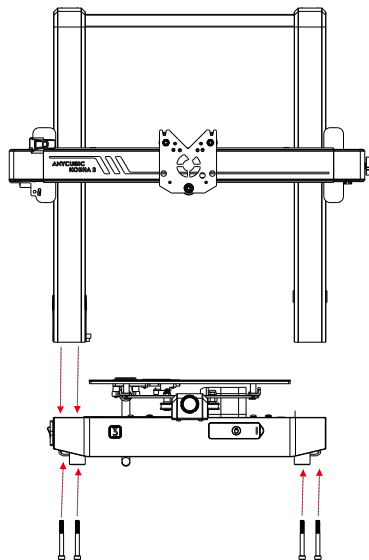
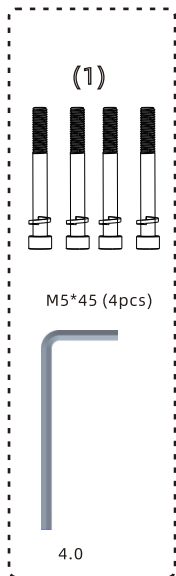
Machine Installation

For the installation instruction video, please scan the QR code on the right.



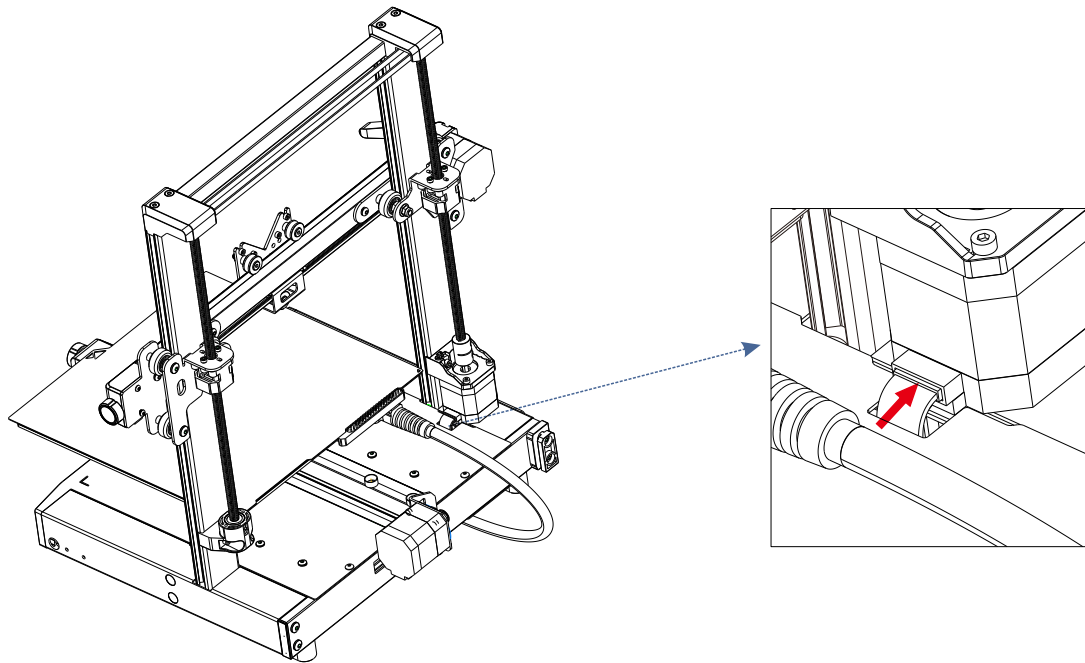
01 Install Frame

Fix the printer base housing and frame from the bottom with NO.1 bag screws.



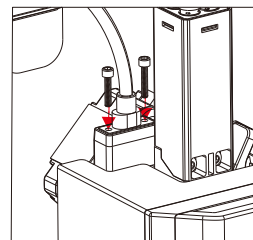
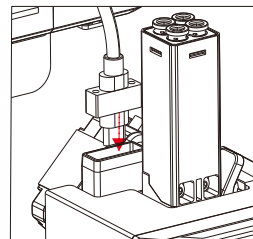
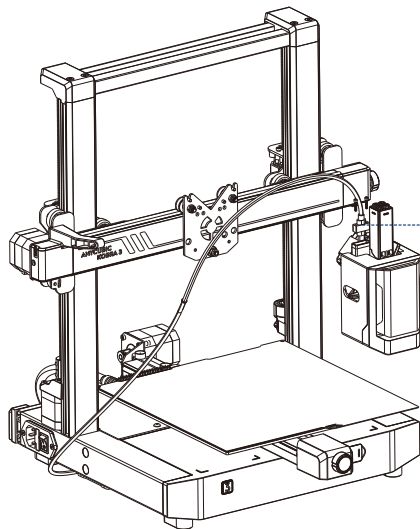
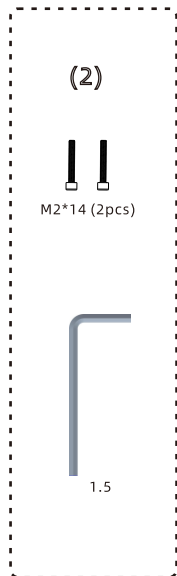
01 Install Frame

Insert the Z-axis motor wire into the hole from the back of the printer and secure it.



02 Connect Printhead Cable

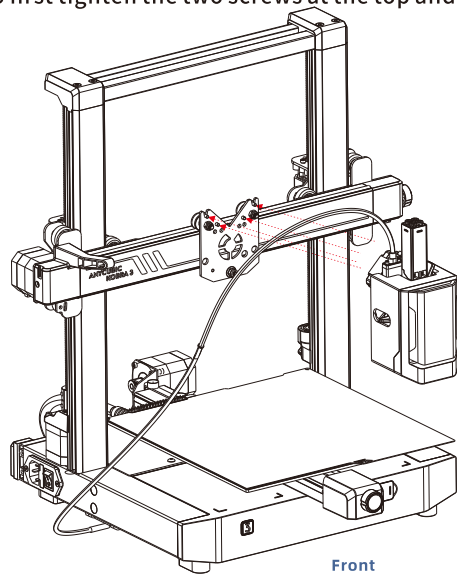
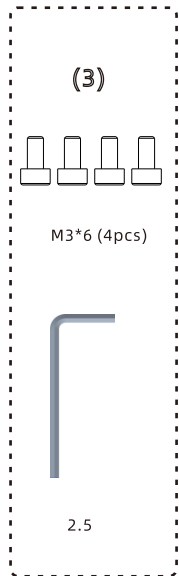
1. Press the printhead cable (Orange Type-C long cable) down and insert it into the slot above the printhead.
2. Secure the cable with the screws from bag No. 2.



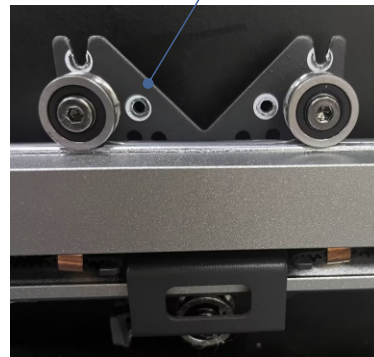
03 Install Printhead

Install the printhead from the back of the printer. Use the No. 3 bag screws to secure the printhead by turning it clockwise in the position shown in the figure.

It is recommended to first tighten the two screws at the top and then the screws at the bottom.



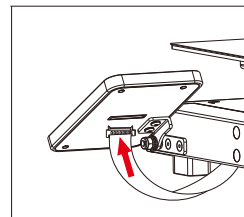
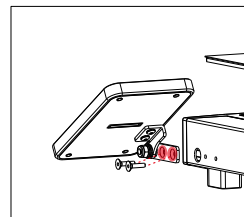
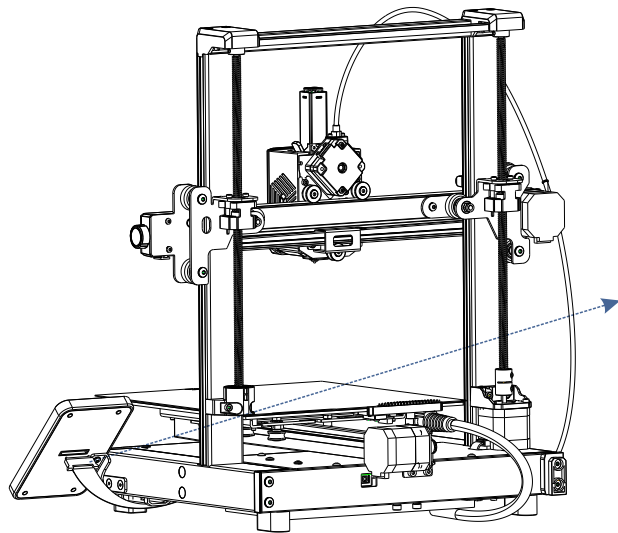
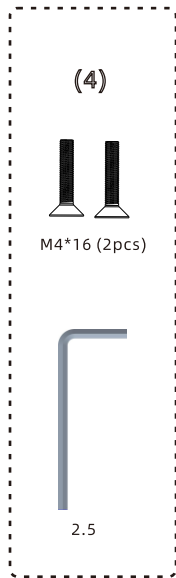
Note: Please install screws in the holes highlighted in white.



Back

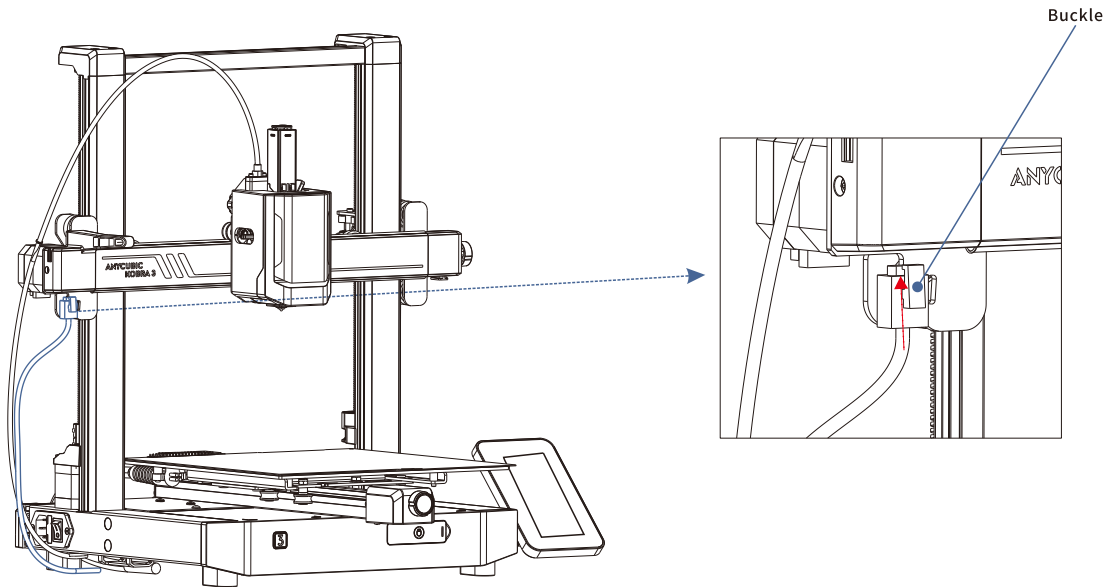
04 Install Screen

1. Use No. 4 bag screws to install the screen .
2. Plug the FPC cable into the port behind the screen by pressing the terminal.



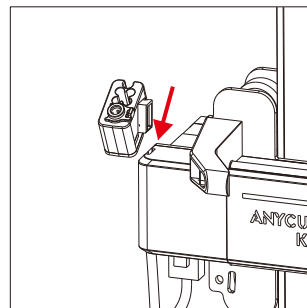
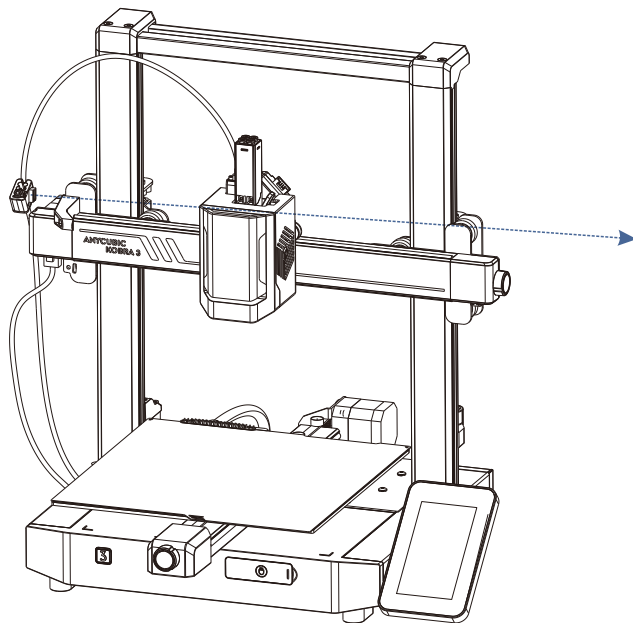
05 Connect the X-axis Motor Cable

Insert the motor cable (Orange 6 Pin short cable) upward into the bottom groove on the left side of the X-axis to tighten it. Note that the cable buckle faces forward.

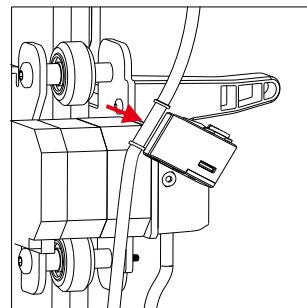


06 Install Cable Hoder

1. Press down the cable holder to secure it to the groove on the left side of the X-axis.
2. Insert the printhead cable into the cable holder.



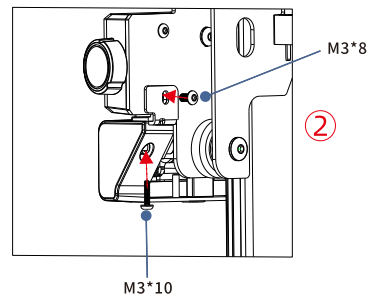
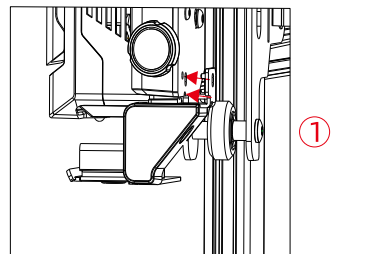
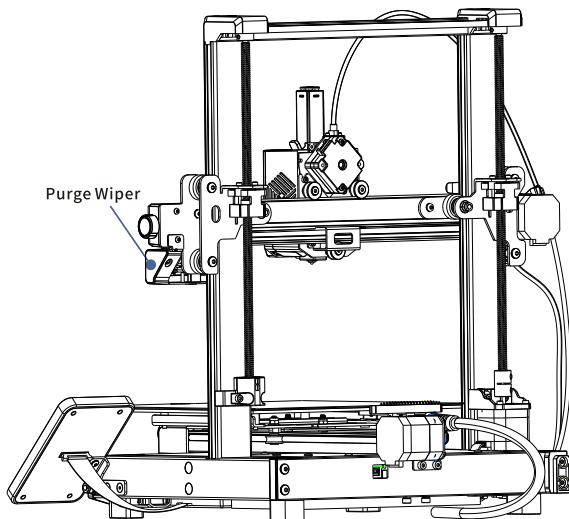
①



②

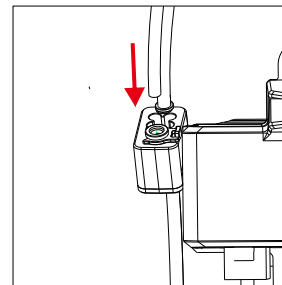
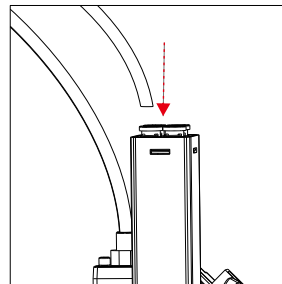
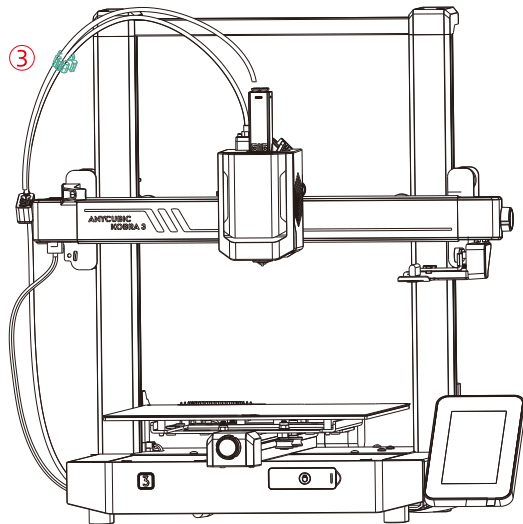
07 Install Purge Wiper

1. Slide the purge wiper from the back to the front into the groove on the rear side of the X-axis.
2. Use the No. 5 bag screw to secure the purge wiper from the back and bottom of the X-axis.



08 Install Filament Tube

1. Insert one end of the filament tube into the hub above the printhead and the other end into the cable holder.
2. Snap the filament tube and printhead cable into the cable organizer.

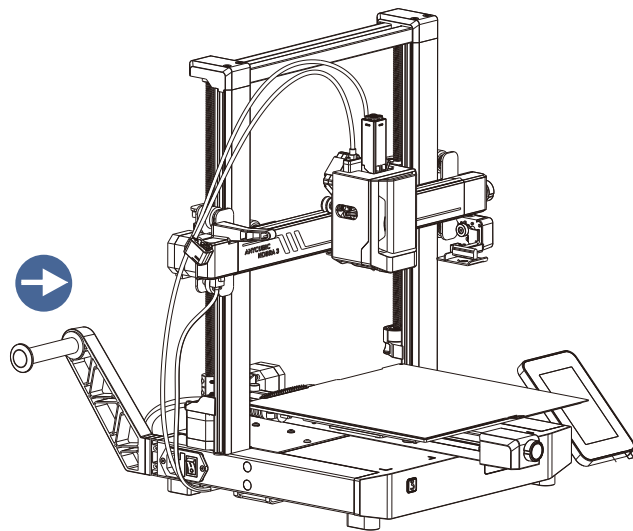
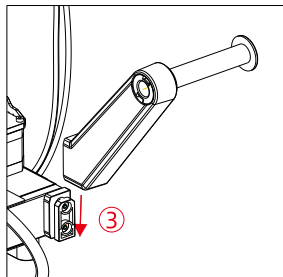
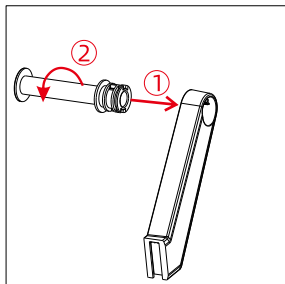


Note:
If the filament tube cannot be inserted into the cable holder successfully,
you can first remove the blue retainers on the cable holder, insert the
filament tube, and then put the blue retainers back to its original position.



09 Install Spool Holder

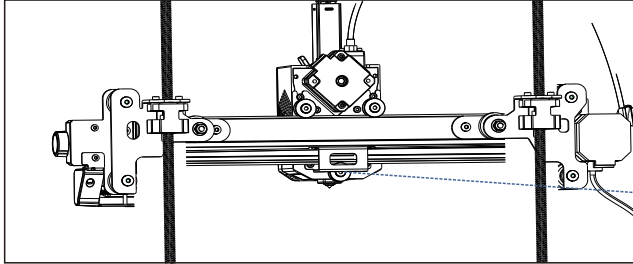
1. Put the cylindrical handle into the spool holder hole, and then rotate it at a certain angle to fix it.
2. Press the spool holder down and insert it into the groove behind the printer base.



Check Before Use

1. Pulley elastic adjustment

Check if the print head is shaking. If it is, adjust the hexagonal isolation column located underneath the print head until it slides smoothly and without shaking.

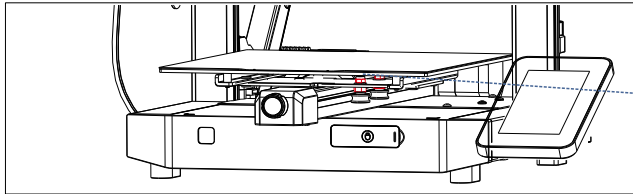


Print head



Adjust the hexagonal eccentric pad behind the bearing wheel

Check if the print bed is shaking. If it is, adjust the hexagonal isolation column located underneath the print bed until it slides smoothly and without shaking.



Platform

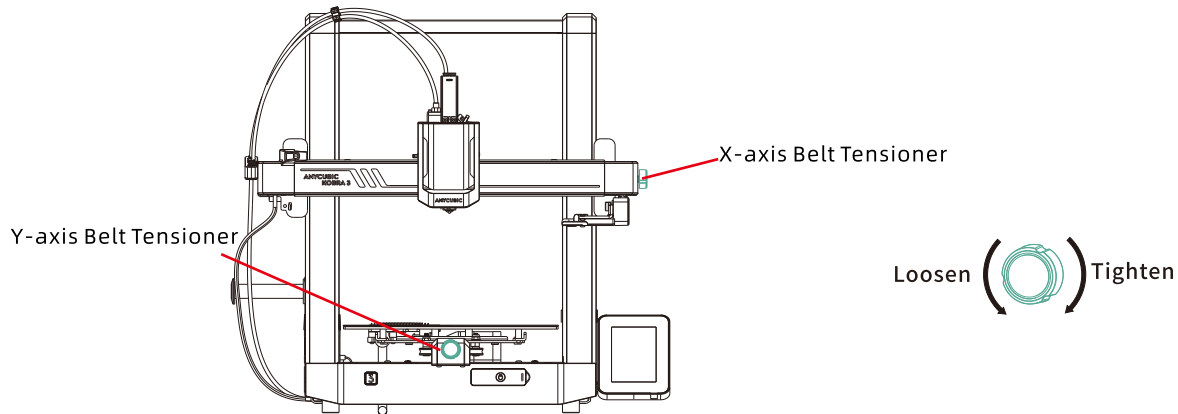
Adjust the red hexagonal eccentric pads on both sides of the Y-axis

Similarly, the pulleys on both sides of the gantry frame can also be adjusted.



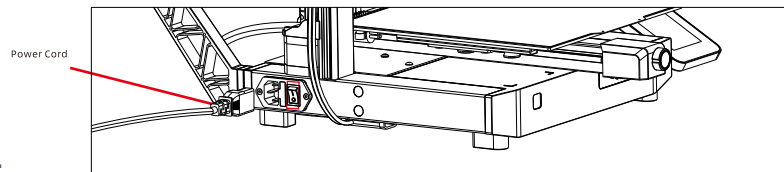
2. Belts

Please manually move the printhead and print platform. If there is any difficulty or abnormal noise during the movement, adjust the tensioner to ensure smooth sliding of the printhead or platform.



3. Connecting to Power

Connect the printer to power outlet with the power cable, then power the printer.



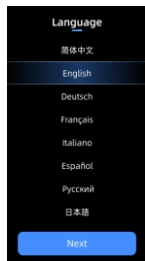
Note:

1. When inserting the power cord, please avoid crossing it with the print head cable to prevent interference.
2. Before turning on the power, please check the printer power level matches the local voltage.

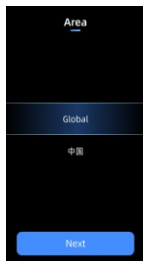


Power-on Guide

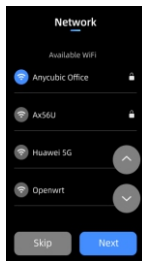
① Language



② Area



③ Network



④ Cloud



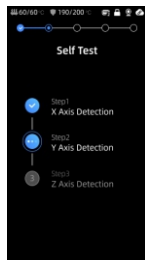
⑤ Complete Setup



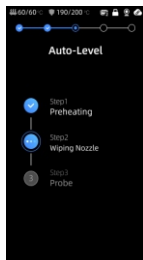
⑥ Insert U-Disk



⑦ Self Test



⑧ Auto-Level



⑨ Load Filament



⑩ Vibration Compensation



⑪ Print The Model



Note: The current interface is for reference only. Due to ongoing feature upgrades, please refer to the UI of the latest firmware release for accurate information.

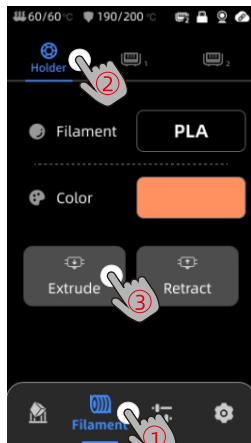
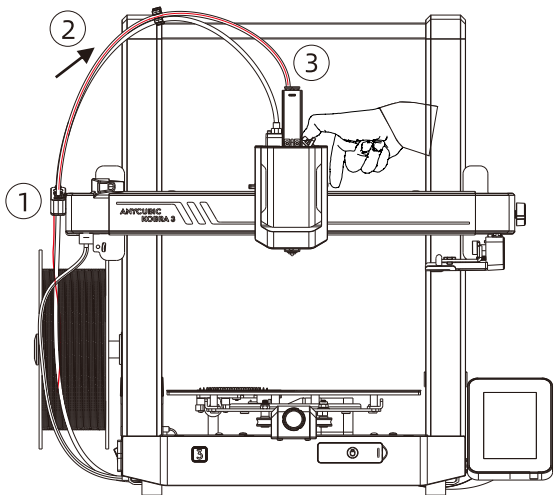
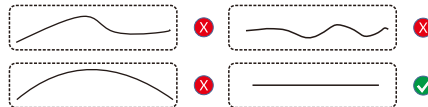


Loading Filament

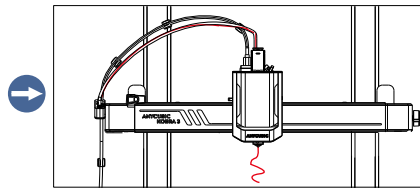
1. Put the filament onto the spool holder.
2. Insert the filament into the extruder until you feel some resistance. While doing so, press and hold the button on top of the extruder.
3. Press "Filament" - "Holder" - "Extrude" and wait for the filament material to be extruded from the nozzle.

Note:

Before inserting the filament into the extruder, make sure to straighten the end of the filament.

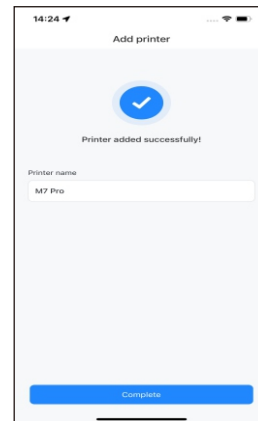
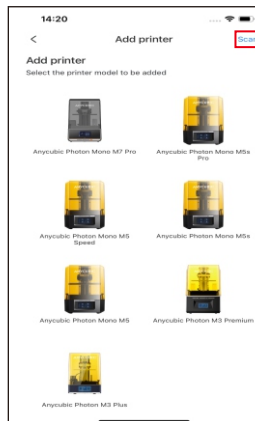
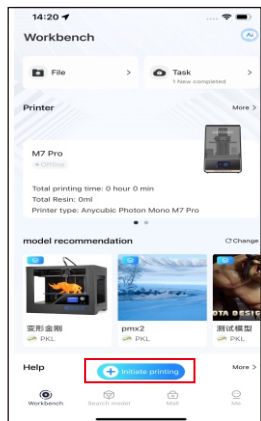
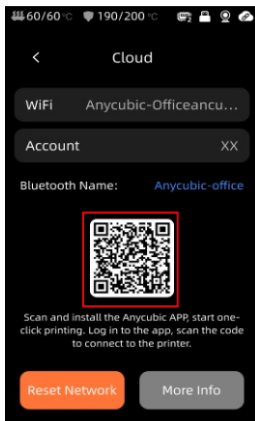


4



Printer Binding

1. Please connect the printer to the network first.
2. Scan the QR code on the printer screen, QR code path: [Settings] - [Cloud], download the ANYCUBIC App, register and log in to the ANYCUBIC account.
3. Open ANYCUBIC App, click [+Initiate printing], click [Scan], and scan the QR code on the printer screen to bind ANYCUBIC account.



Software Installation and Binding

1. Software Installation Procedure

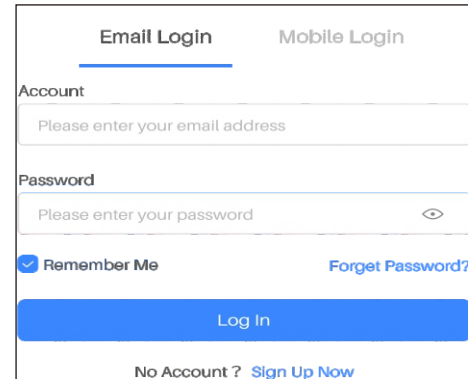
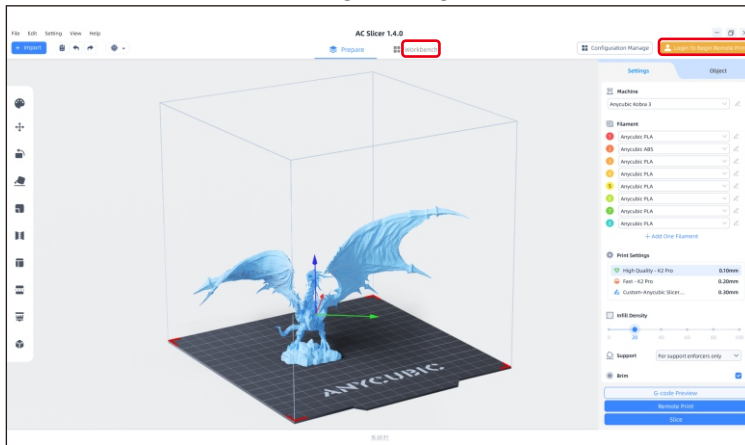
Open the attached USB drive and navigate into the path: \Files_English_Ancubic Kobra 3 \Ancubic Slicer, choose Windows /Mac to install the corresponding version, double-click on the Ancubic Slicer application to begin the installation .

2. Please connect the printer to the network before performing the following operations.

3. Ancubic Slicer Usage Instruction:

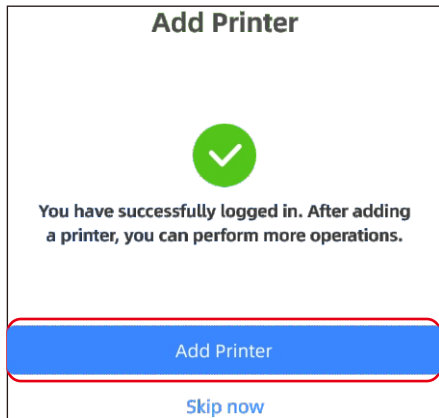
Open the attached USB drive and navigate into the path: \Files_English_Ancubic Kobra 3 \Ancubic Slicer \Ancubic Slicer_Usage Instructions

- ① After the software installation is completed, enter the main interface and click **[Workbench]** or **[Log in to begin remote print]**. ② If you already have an APP account, you can directly enter your account and password to log in. If not, click **[Sign Up Now]**.

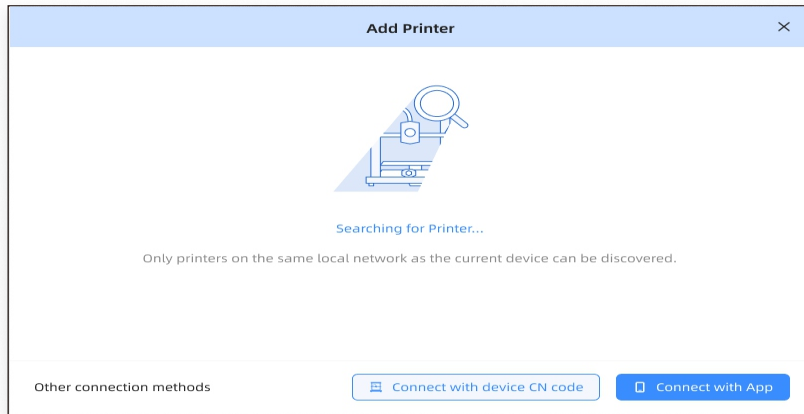


Software Installation and Binding

③ Click [Add Printer].

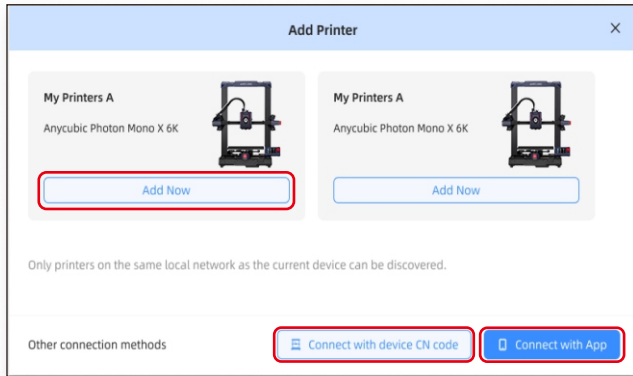


④ Automatically find printers on the same LAN as the current device. If the APP has been bound to the machine and logged in to the same account, the information will be automatically synchronized.

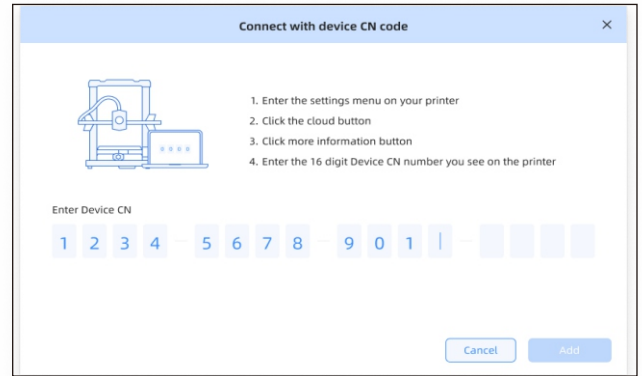


Software Installation and Binding

- ⑤ Select the machine that needs to be bound in the automatic search results and click **[Add Now]**. Multiple printers can be connected; if the search is not successful, please click **[Connect with device CN code]** or **[Connect with APP]**.



- If the search fails, enter the CN code of the device to connect.
- ⑥ Find the CN code path: Select **[Settings-Cloud Platform -More Information]** on the printer. You can view the CN code.



Note:
The software interface is subject to the latest version.

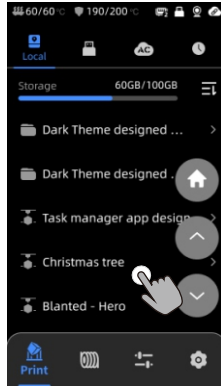
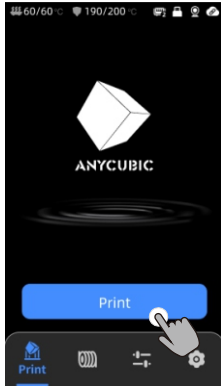


First Print

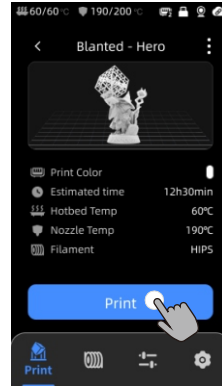
1) Select a model from the local or U-DISK and start printing.

*We recommend using one of the pre-loaded files as a first test print.

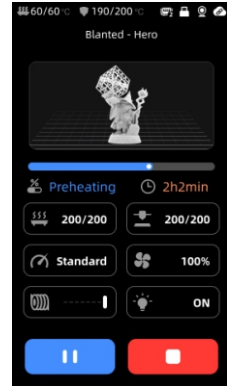
Makeronline QR Code: Models can be downloaded via Makeronline.



Select the model from local storage or U-DISK.



Press "Print".



Printing in progress

Note:
The built-in model is subject to reality ⚠️


Other Function Descriptions

Vibration Compensation: To achieve better printing results, it is recommended to perform a vibration compensation check after printing for more than 300 hours or when the machine has been moved. This feature helps reduce the occurrence of banding during high-speed printing. Regular vibration compensation checks help maintain the stability and accuracy of the printer, thereby improving print quality.

Press "Tools" - "Control" - "Vibration Compensation" and wait for the machine to complete the calibration. Please do not touch the machine during the calibration process.

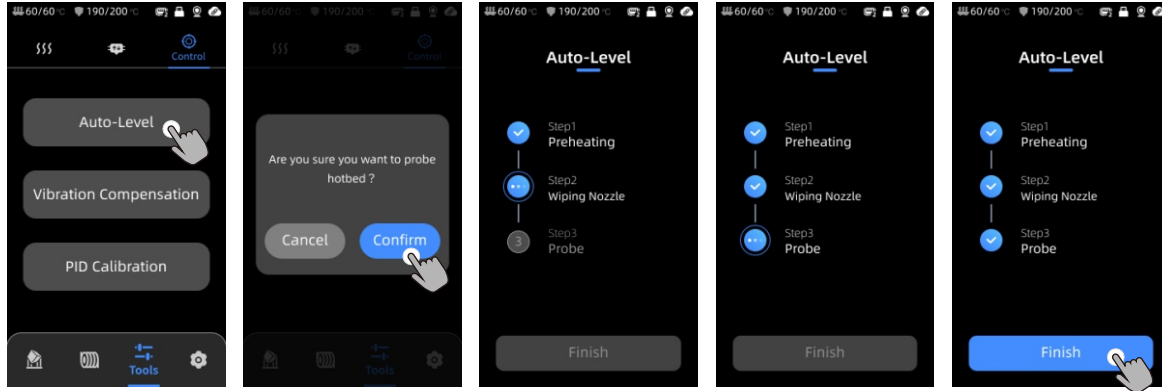
Filament Runout Detection: This function is designed to prevent printing failures when the filament runs out during the middle of a print. It alerts the user to replace the filament before continuing the print, effectively preventing wasted prints due to filament shortage.

Power Loss Resume: When printing using the filament holder, in the event of a sudden power outage or accidentally turning off the machine, this function does not require manual setup. Simply reconnect the power and turn on the machine. You can then resume the print.

Note:
ACE pro currently does not have the function of power loss resume 

Leveling

Press "Tools" - "Control" - "Auto Level". Wait for the machine to complete the leveling process.



Note:

Please check whether the PEI magnetic spring board is installed before leveling.



Maintenance Recommendation

Z-axis Lead Screws

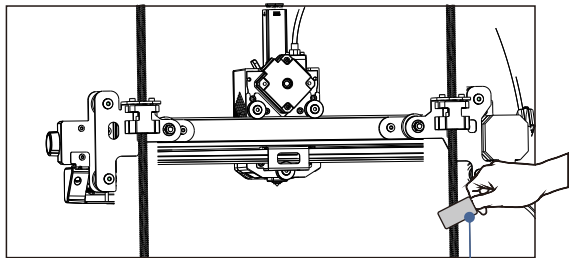
*The Z-axis lead screw needs regular lubrication, as proper lubrication ensures smooth movement. It is recommended to perform maintenance every three months.

Before applying lubricating grease to the Z-axis lead screws, it is important to clean them thoroughly, removing any dust or plastic particles. Then, using the axis movement controls, move the print head to a higher position. Apply a thin coat of lubricating grease on the Z-axis lead screws, and then home the printer again. You can repeat this movement process a few times to ensure the grease is evenly distributed over the Z-axis lead screws. Once completed, clean off any excess lubricating grease that may have accumulated near the leadscrew nuts.

X/Y-axis double metal spindles

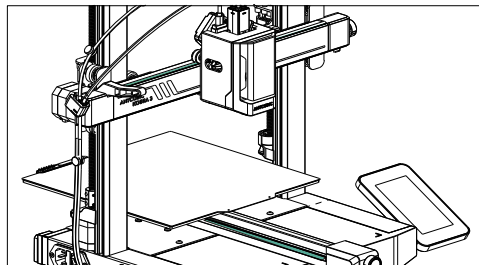
*The X/Y-axis double metal spindles require regular lubrication, as proper lubrication ensures smooth movement. It is recommended to perform maintenance once a month.

Before applying lubricating grease to the X/Y-axis double metal spindles, it is important to clean them thoroughly, removing any dust or plastic particles. Then, apply a thin coat of lubricating grease on the X/Y-axis double metal spindles and home the printer. You can repeat the movement process a few times to ensure the grease is evenly spread over the X/Y-axis double metal spindles.



Z-axis Lead Screws

Grease



X/Y-axis Double Metal Spindles



*Please scan the QR code for more maintenance information.

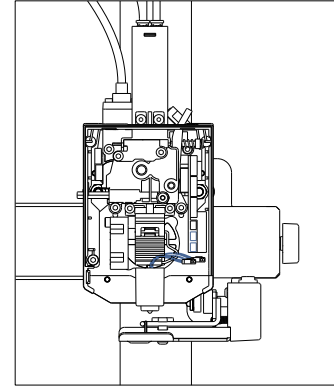
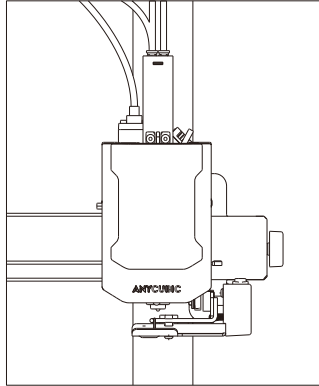
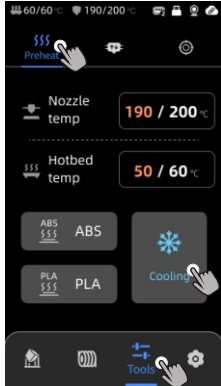
Maintenance Recommendation

Hotend Replacement Guide



Hotend Replacement

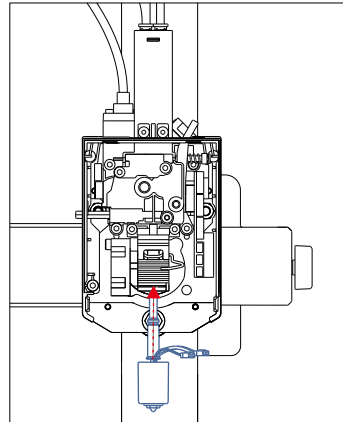
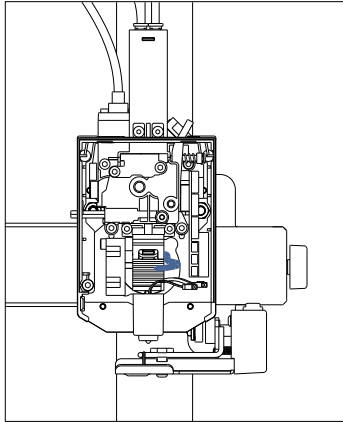
1. Before replacing the hotend, please cool down the nozzle first, click [Tools] - [Preheat] - [Cooling], wait for the nozzle temperature to drop below 40 degrees, and turn off the printer.
2. Press both sides of the print head lightly and pull the printhead front cover forward to remove it.
3. Gently pull the bottom black and white lines forward to remove them.



Maintenance Recommendation

Hotend Replacement

4. Pull the retaining spring forward to loosen the hotend.
5. Insert the new hotend upwards to the very bottom, and note that the white wire is at the front.
6. Press the retaining spring back to fix the hot end.
7. Plug the two wires back to their original positions, and note that the black wire is at the bottom .
8. After completing the above operations, close the front cover to complete the hot end replacement.



Attention

1. Anycubic 3D printer generates high temperature. DO NOT reach inside of the printer during operation. Contact with extruded materials may cause burns.
2. Use high temperature resistant gloves when operating the product.
3. This equipment is not suitable for use in locations where children are likely to be present.
4. The fuse rating for the printer is 250V 10A. Never replace the fuse with one of a higher amperage, otherwise it may cause fire.
5. The socket-outlet shall be easily accessible.

If the above problems cannot be solved, please initiate consultation in our after-sales service system, and our engineers will reply you in the form of email within one working day.

(<https://support.anycubic.com/>)



Warm tips:

1. Fill in the information based on the SN of the corresponding model. The items with red dots are mandatory.
2. If the order is successful, you will soon receive a reply from the after-sales service system in your mailbox.
3. If you successfully place an order but do not receive an email, please watch out for spam.
4. If the order creation fails, please pay attention to the pop-up reminder on the web page.

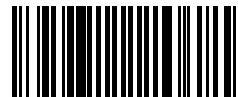


Name:Apex CE Specialists GmbH
Add:Habichtweg 1 41468 Neuss Germany
Contact:Wells Yan
Tel:+353212066339
E-Mail:Info@apex-ce.com



Name:APEX CE SPECIALISTS LIMITED
Add:89 Princess Street,Manchester, M1 4HT,UK
Contact:Wells
Tel:+ 441616371080
E-Mail:info@apex-ce.com

FC CE RoHS



M02010062